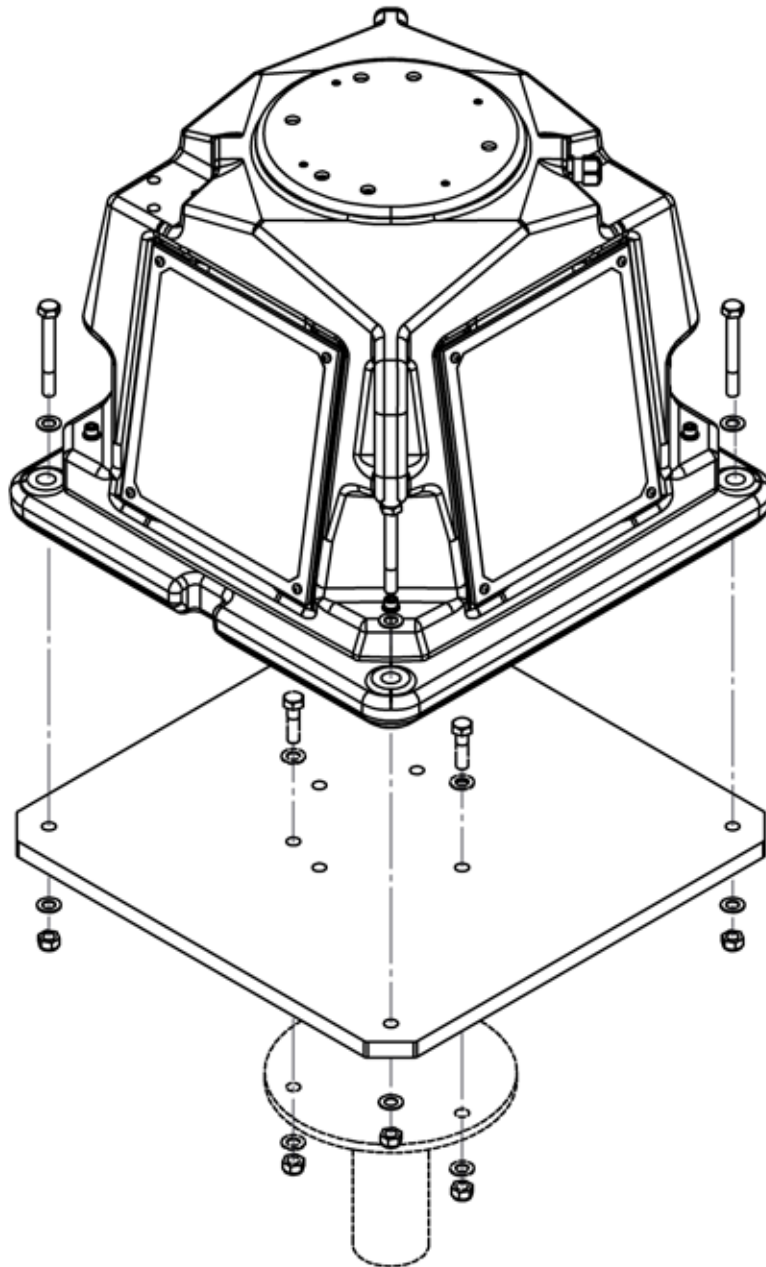


Installation Guide for VSOL-40 Adapter Kit



To mount a VSOL-40 to a Standard 3 or 4 Hole 200 PCD:

1. Mount 200 PCD plate to Adapter. (Fasteners not supplied. Ensure the bolt head is no larger than M12-1/2 inch in size, and less than 15 mm in height.)
2. Align recesses in underside of VSOL-40 with 200 PCD bolt heads for mounting flat on Adapter plate.
3. Attach VSOL-40 to Adapter plate using the supplied fasteners.